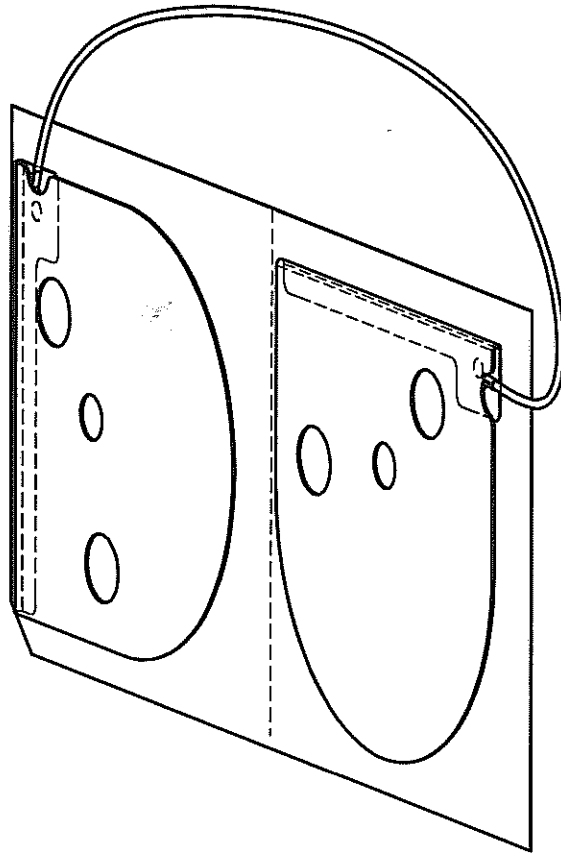


PHILIPS



Internal Manikin Adapter

Instructions for Use

Mode d'emploi

Bedienungsanleitung

Aanwijzingen voor gebruik

Modo de empleo

Bruksanvisning

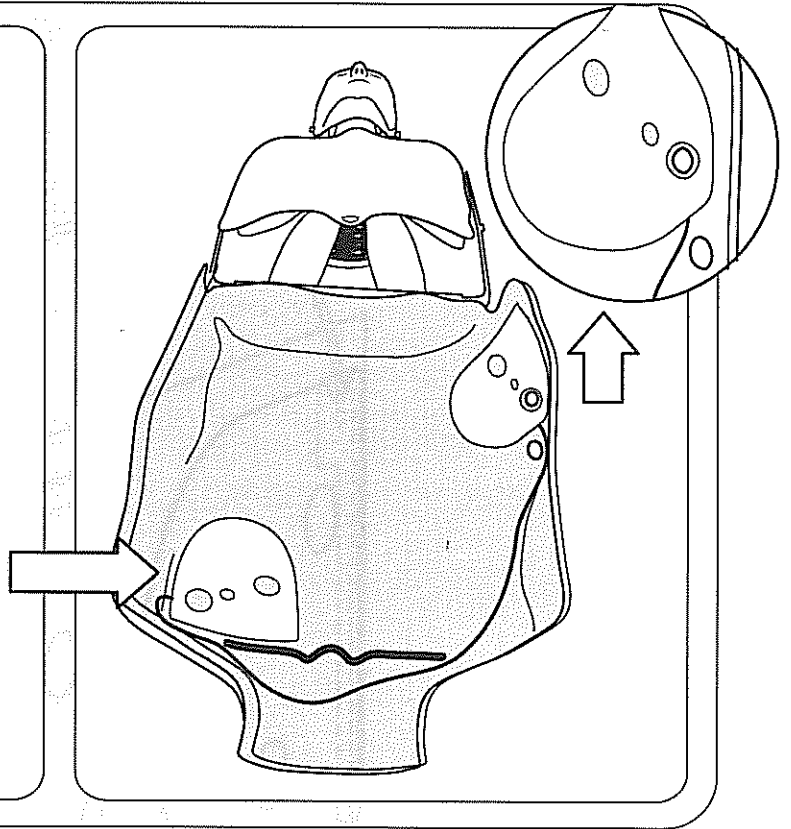
Brugsanvisning

تعليمات الاستخدام

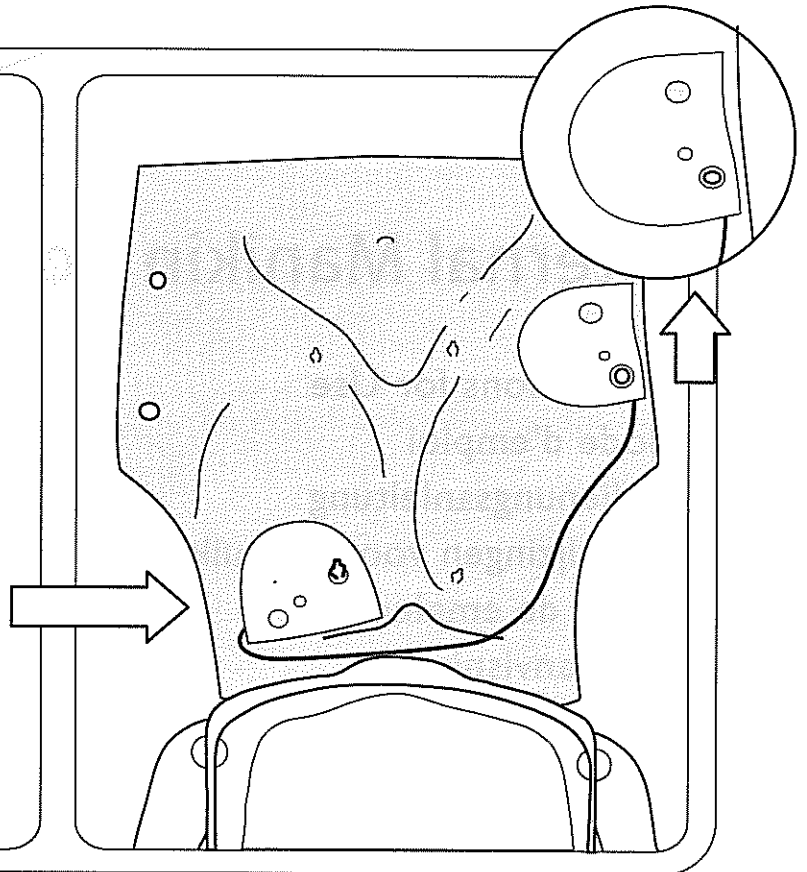
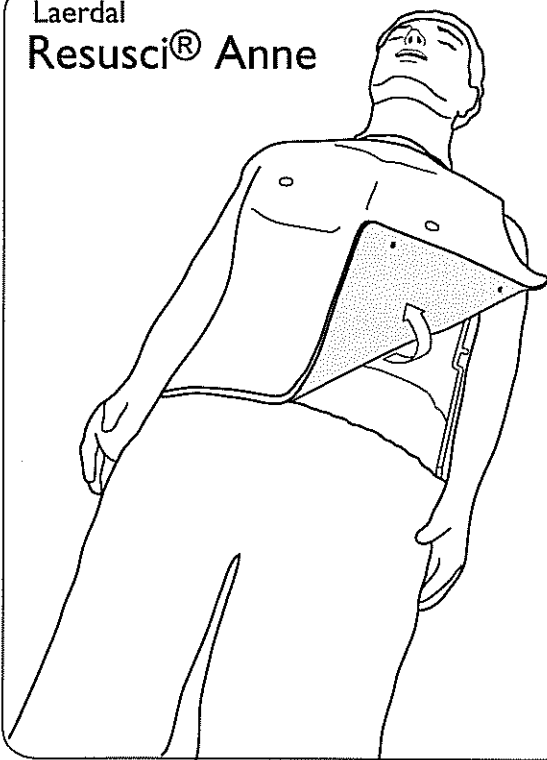
M5088A
Edition2

HEARTSTART
DEFIBRILLATORS

Laerdal
Little Anne™



Laerdal
Resusci® Anne



Little Anne CPR Manikin and Resusci Anne CPR Manikin are trademarks or registered trademarks of Laerdal Medical



Authorized EU Representative
Philips Medizin Systeme Boeblingen GmbH
Hewlett-Packard Strasse 2
D-71034 Boeblingen, Germany
(+49) 7031-14-5151

011902-0003
© Philips Electronics North America Corp.

PHILIPS